

JOB NAME:	
CONTRACTOR:	DATE:



CAMO® EDGE SCREW

Size Range: #7
Head Type: Trim
Drive Type: T15 Star
Point Type: Rake



Never install without using CAMO Edge Guides and drive bit.

APPLICATION Secures decking to wood substructure
For indoor or outdoor applications

FEATURES Available with ProTech coating or as Stainless Steel
Compatible with chemically treated lumber
Rake tip removes board material as it bores in, reducing risk of splitting
Trim head design reduces visibility
Reverse upper thread pulls the board tight to the joist and provides a clean finish at entry point
Screws are installed on an angle for easy removal if board replacement is necessary

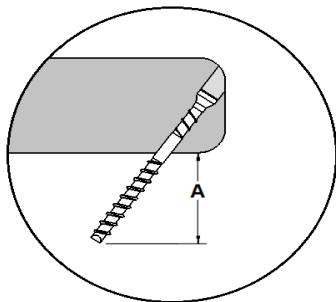
BOARD COMPATIBILITY	Pressure Treated	316 Stainless	Carbon Steel
	Composite	316 Stainless	Carbon Steel
PVC	316 Stainless	Carbon Steel	
Cedar	316 Stainless	-	
Redwood	316 Stainless	-	
Hardwood*	316 Stainless	-	*pre-drilling is recommended with hardwood decking

COATING Proprietary ProTech coating is designed to work with chemically treated lumber
ProTech coating is available only in green for this product
Stainless Steel screws are passivated per ASTM A380 standard
Black Phosphate coating used over stainless steel for less visibility
Black Phosphate coating may vary from dark gray to black in color

SPECIFICATIONS Uplift Test per ASTM E330-02 (Report B8290.01-119-19)

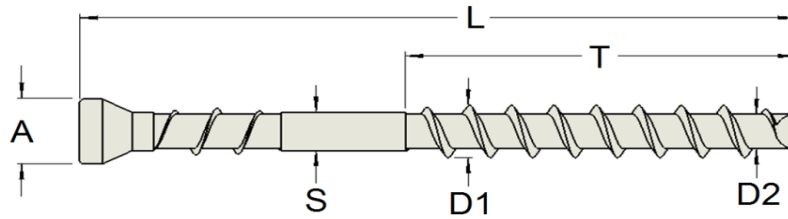
INSTALLATION Not recommended for use with impact drivers

PENETRATION DEPTH



Board Thickness	Dimension A	
	1-7/8 in screw	2-3/8 in screw
3/4 in Board	1-5/16 in	1-3/4 in
7/8 in Board	1-3/16 in	1-5/8 in
1 in Board	1-1/16 in	1-1/2 in
1-1/2 in Board	n/a	1 in

DIMENSIONS



	Head Dia.	Overall Length	Major Thread Dia.	Minor Thread Dia.	Shank Dia.	Thread Length
	A	L	D1	D2	S	T
#7 x 1-7/8 in	Ø 0.200 in	1.88 in	Ø 0.157 in	Ø 0.106 in	Ø 0.114 in	1.00 in
#7 x 2-3/8 in	Ø 0.200 in	2.38 in	Ø 0.157 in	Ø 0.106 in	Ø 0.114 in	1.32 in

CAUTION



Screw must be entirely enclosed by the deck board and joist and not exposed in open or void areas

Not to be used for structural applications

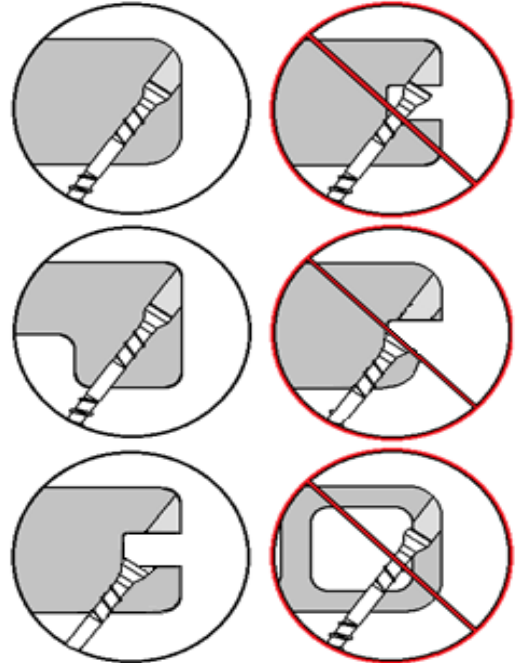
Pre-Drilling is recommended for hardwood products

Not designed for use in aluminum, vinyl, stone, or rubber deck board products

Not designed for use with steel or other metal substructure components

No warranty is provided when the product is used in connection with incorrect applications

Read manufacturers' installation instructions for deck board products



PRODUCT AVAILABLE

ProTech SKU Green	316 Stainless SKU	Size x Length	Drive Bit (QTY) Size	Box Count QTY	Master Pack
0345120	345220S	#7 x 1-7/8 in	(1) T15	100 ct	12 pack
0345128	345228S	#7 x 1-7/8 in	(1) T15	350 ct	12 pack
0345124	345224S	#7 x 1-7/8 in	(2) T15	700 ct	4 pack
0345119	345219S	#7 x 1-7/8 in	(2) T15	1750 ct	1 pail
0345343	345443S	#7 x 2-3/8 in	(1) T15	50 ct/strip	20 strips
0345140	345240S	#7 x 2-3/8 in	(1) T15	100 ct	12 pack
0345148	345248S	#7 x 2-3/8 in	(1) T15	350 ct	12 pack
0345144	345244S	#7 x 2-3/8 in	(2) T15	700 ct	4 pack
0345139	345239S	#7 x 2-3/8 in	(2) T15	1750 ct	1 pail

345099	Drive Bit	(2) T15
345089	Drive Bit for Grooved Boards	(2) T15

